

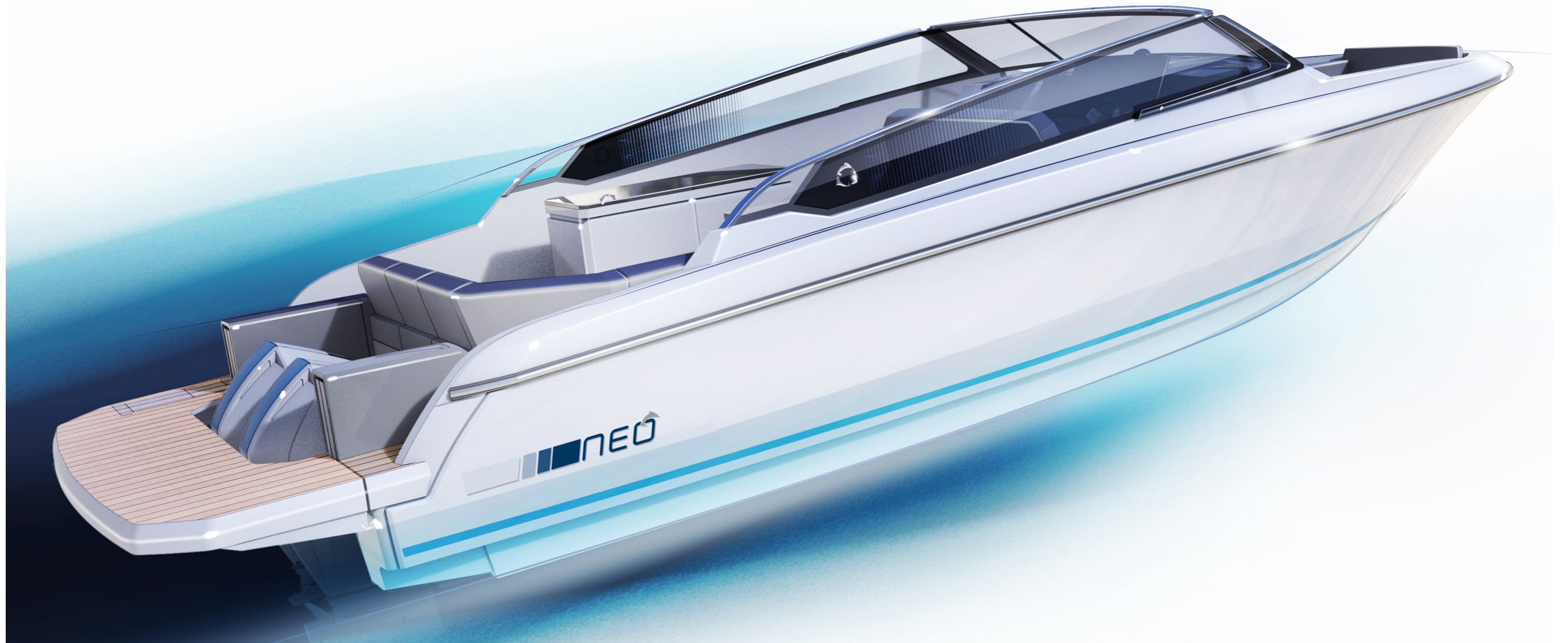


GREENLINE

— YACHTS —

 **NEO** 

Greenline NEO Open

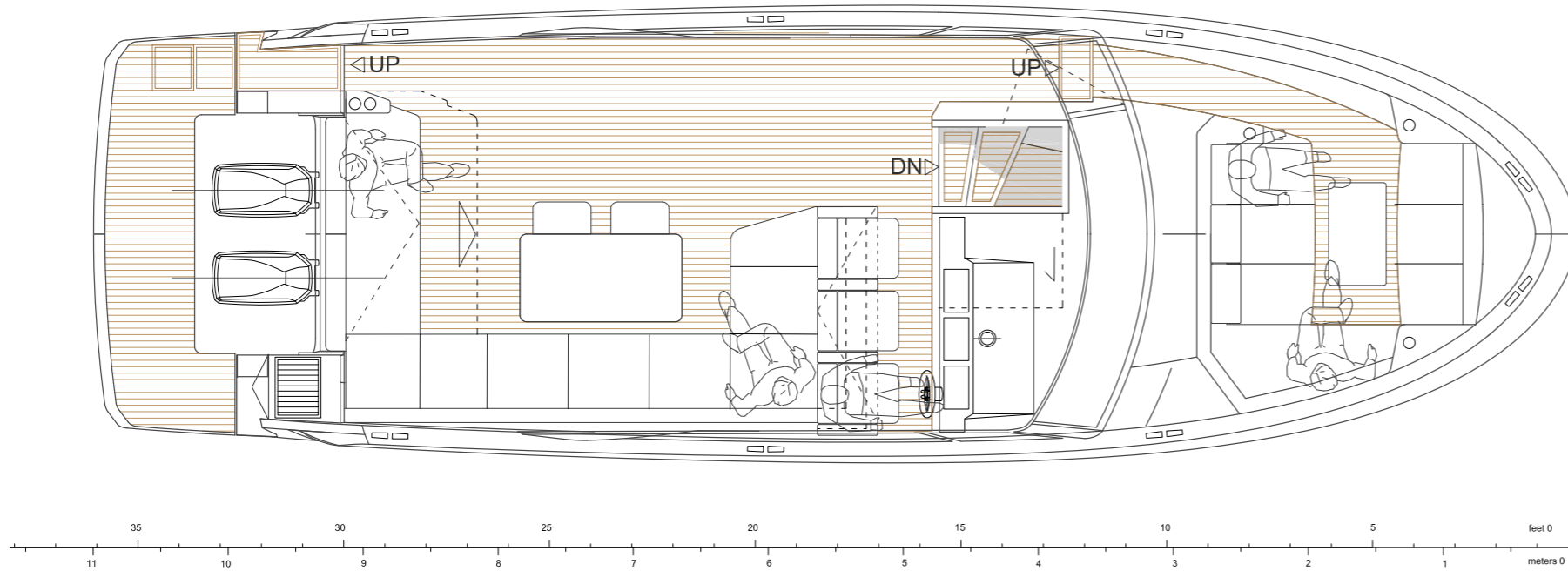


GREENLINE
YACHTS

Greenline NEO Open General Arrangement Plan

Greenline NEO open
general arrangement

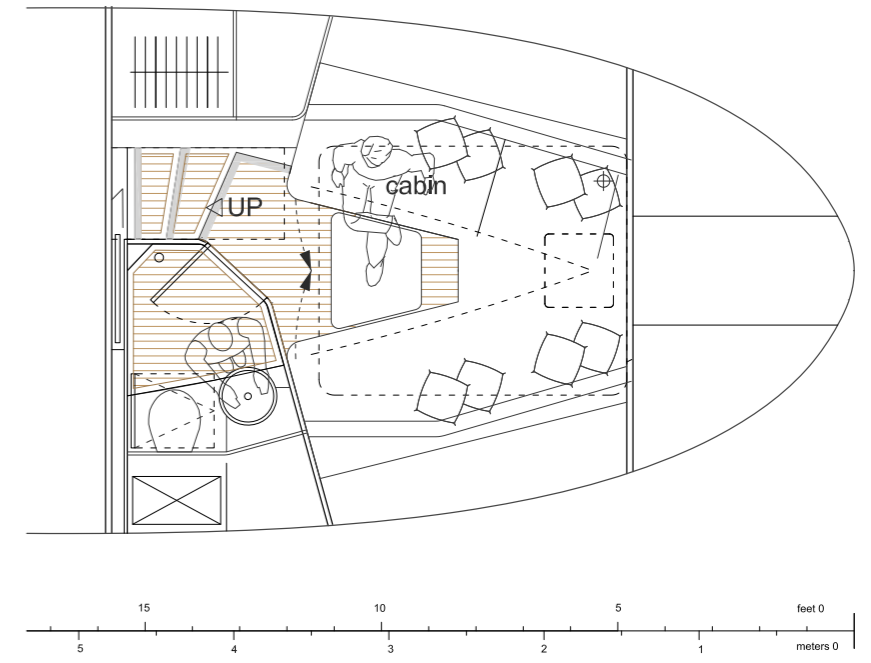
main deck



preliminary use only
SCALE 1:20
proposal date: 16. 04. 2018

DESIGN project: Greenline NEO general arrangement concept | Draftsman: Egon Murić B, Arch

lower deck



preliminary use only
SCALE 1:20
proposal date: 16. 04. 2018



GREENLINE
YACHTS

Greenline NEO Hard Top



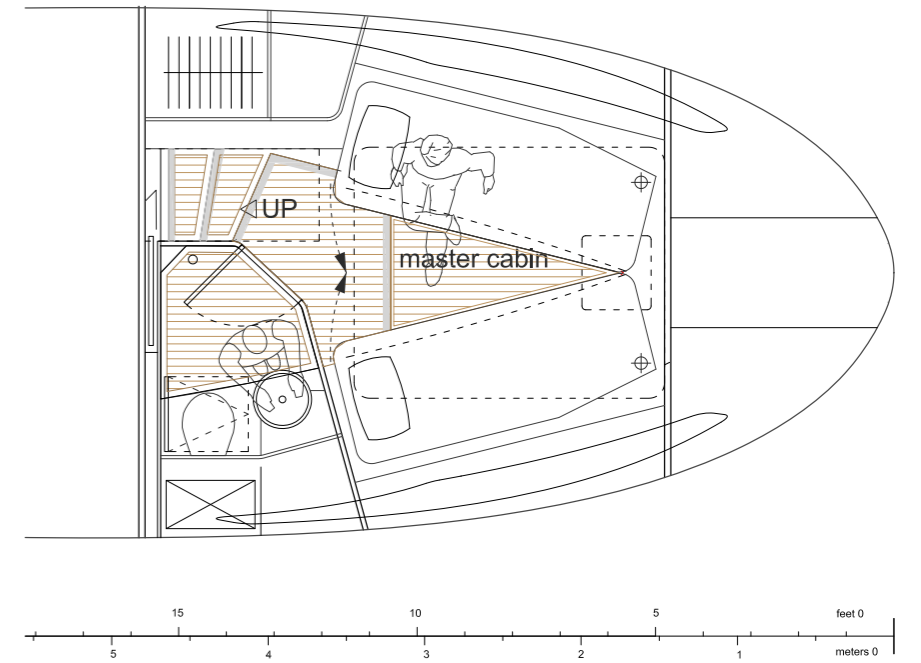
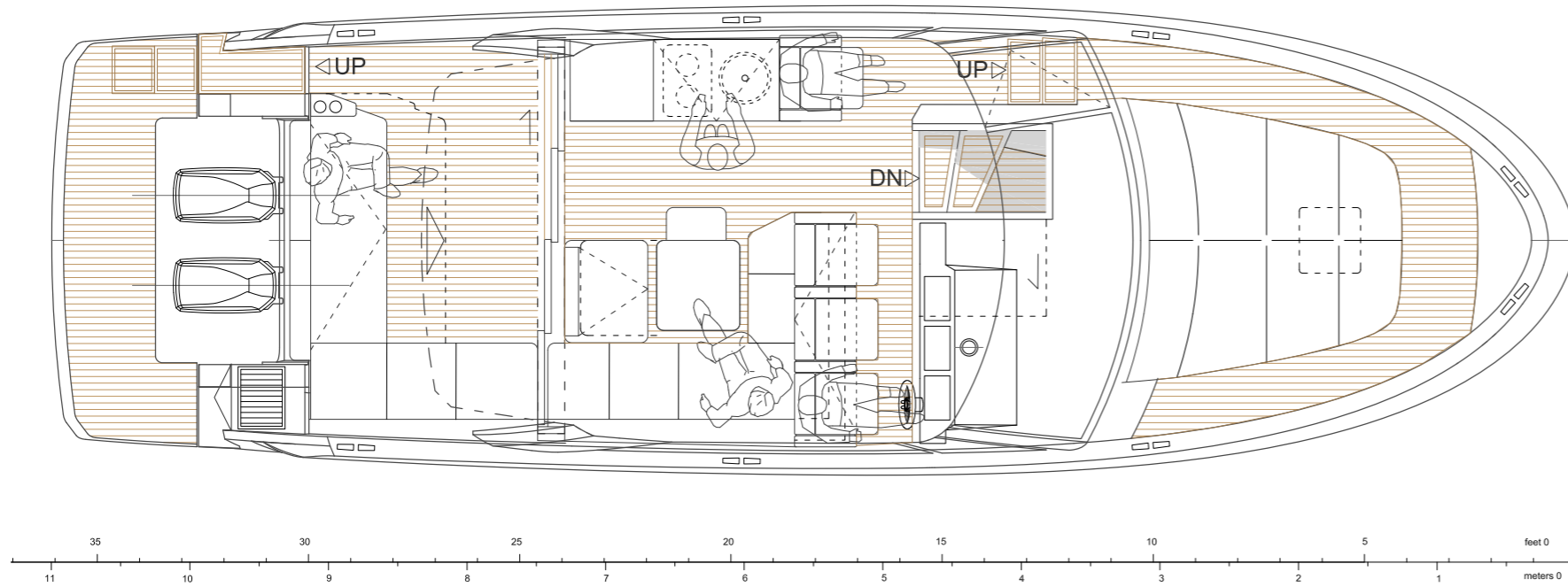
GREENLINE
YACHTS

Greenline NEO Hard Top General Arrangement Plan

Greenline NEO Coupe
general arrangement

main deck

lower deck



DESIGN project: Greenline NEO general arrangement concept | Draftsman: Egon Muffl B.Arch

preliminary use only
SCALE 1:20
proposal date: 16.04.2018

preliminary use only
SCALE 1:20
proposal date: 16.04.2018



GREENLINE
YACHTS

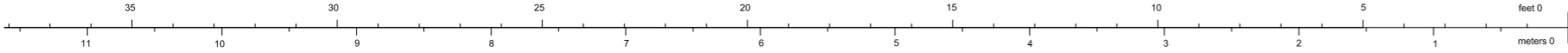
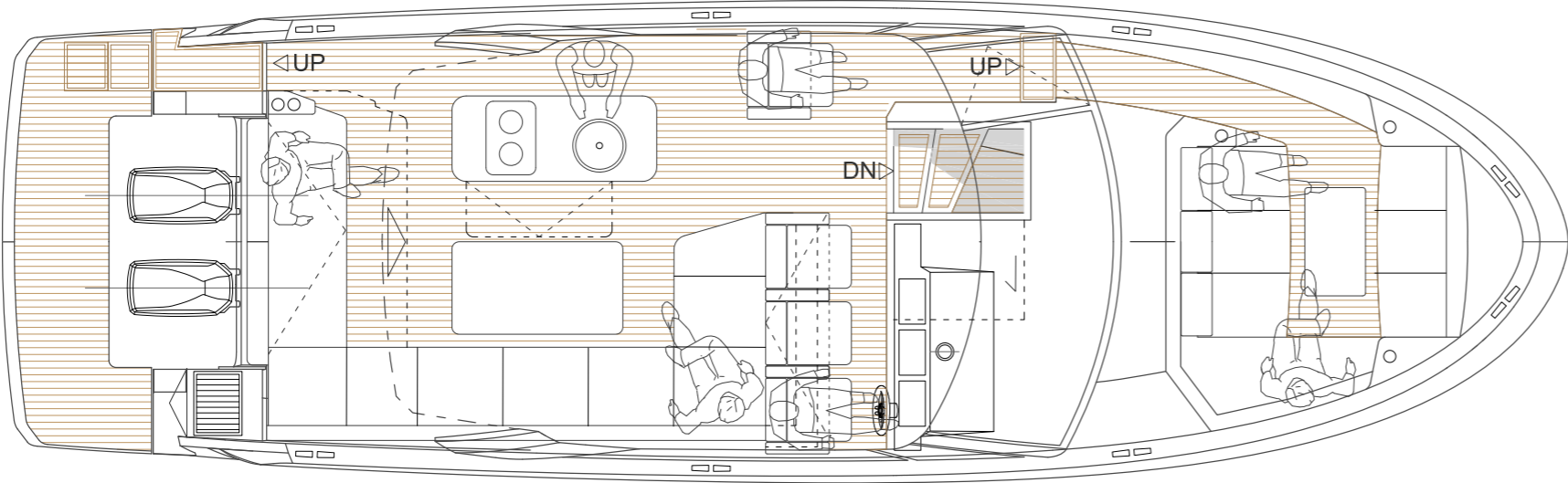
Greenline NEO Coupe



Greenline NEO Coupe General Arrangement Plan

Greenline NEO open
general arragment

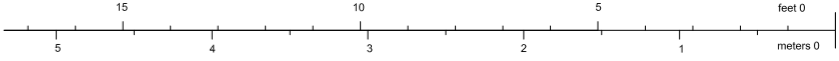
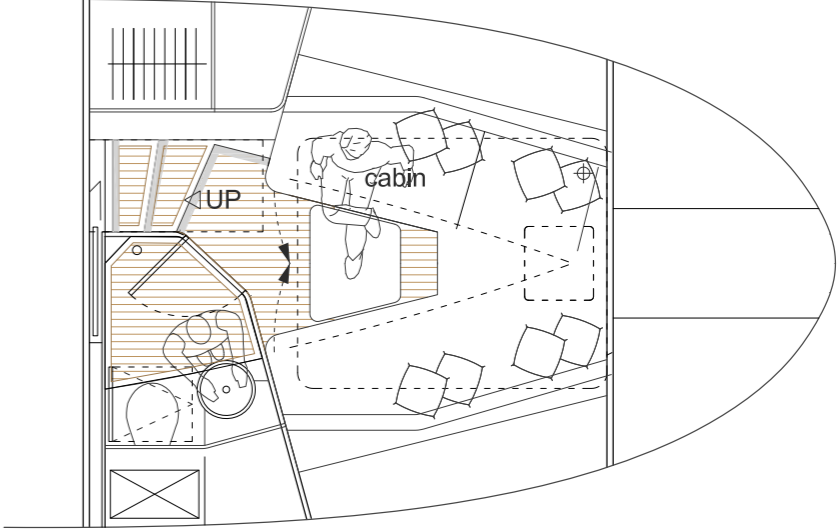
main deck



preliminary use only
SCALE 1:20
proposal date: 16.04.2018

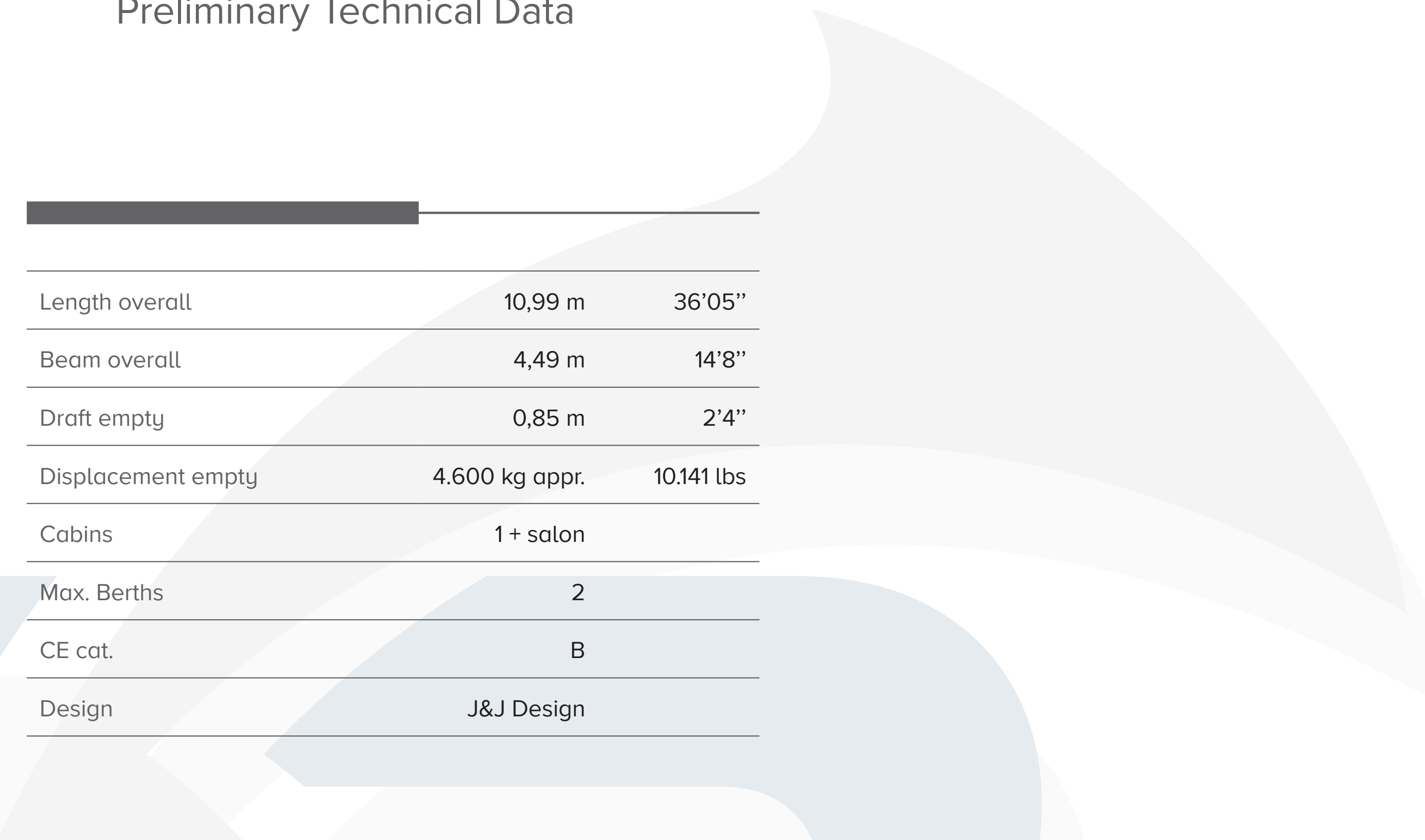
je] DESIGN project: Greenline NEO general arrangement concept | Draftsman: Egon Murtić B.Arch

lower deck



preliminary use only
SCALE 1:20
proposal date: 16.04.2018

Preliminary Technical Data



Length overall	10,99 m	36'05"
Beam overall	4,49 m	14'8"
Draft empty	0,85 m	2'4"
Displacement empty	4.600 kg appr.	10.141 lbs
Cabins	1 + salon	
Max. Berths	2	
CE cat.	B	
Design	J&J Design	

